

Penlon SP Terminal Units

Wall Mounted • Flush / Surface Fitting

Classification

- Gas and Vacuum specific terminal units complying with BS EN 737-1, BS 5682:1984, HTM 2022, HTM02 and C11
- CE marked

Services

- Oxygen
- Nitrous Oxide
- 50% Oxygen / 50% Nitrous Oxide
- Air 400 kPa
- Air 700 kPa
- Medical Vacuum
- AGSS

Terminal Block

- Machined brass incorporating seal plate, check valve and brazed copper stub pipe
- Gas and vacuum indexed
- Fully degreased

Check Valve Assembly

- Machined brass incorporating spring operated shut-off valve
- Fully degreased

Socket Assembly

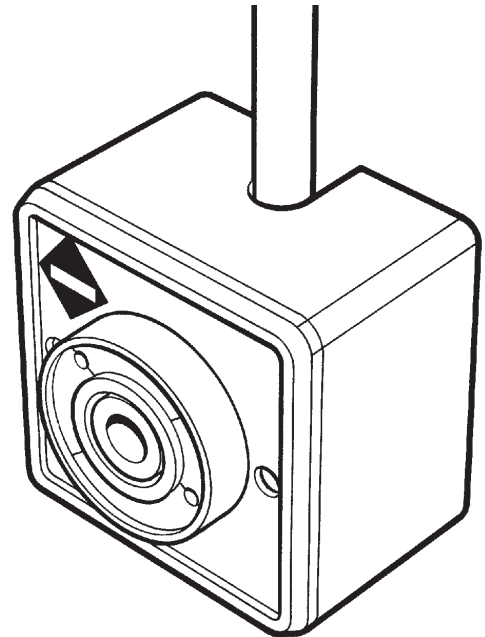
- East SP
 - Zinc diecasting
 - Black Teflon coated body
 - Copper / zinc finished interlock ring
 - Stainless steel rolling pins
- Zeus SP
 - Moulded polymer
 - Teflon coated stainless steel rolling pins

Installation Kit

- Back box, cover box, fascia and flush surround - white ABS

Tailpipe Options

- Top, bottom, left and right side entry
- Back entry



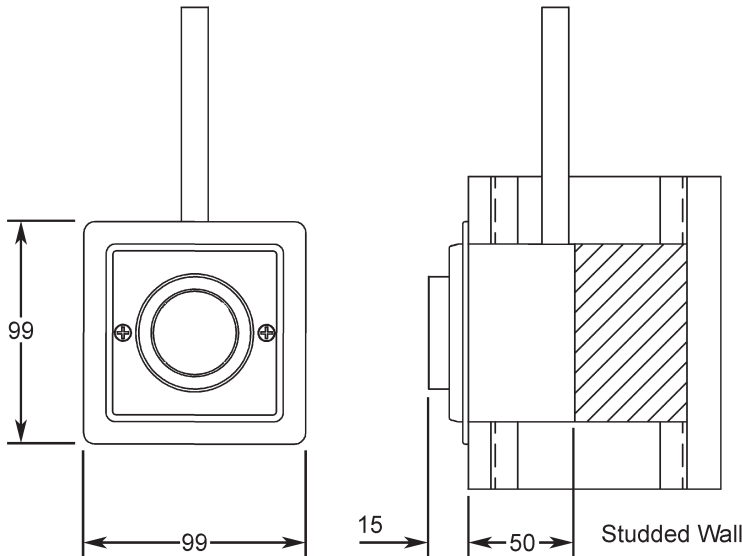
Part Numbers

Service	East SP		Zeus SP	
	120 mm Tailpipe	3000 mm Tailpipe	120 mm Tailpipe	3000 mm Tailpipe
Oxygen	360040	360040-3M	360050	360050-3M
Nitrous Oxide	360041	360041-3M	360051	360051-3M
50% O ₂ / 50% N ₂ O	360042	360042-3M	360052	360052-3M
Air 400 kPa	360043	360043-3M	360053	360053-3M
Air 700 kPa	360044	360044-3M	360054	360054-3M
Vacuum	360045	360045-3M	360055	360055-3M

Refer to next pages for further information

Penlon SP Terminal Units

Wall Mounted • Flush / Surface Fitting • Top, Bottom or Side Entry



Flush fitting with tailpipe (125 mm or 3 m)

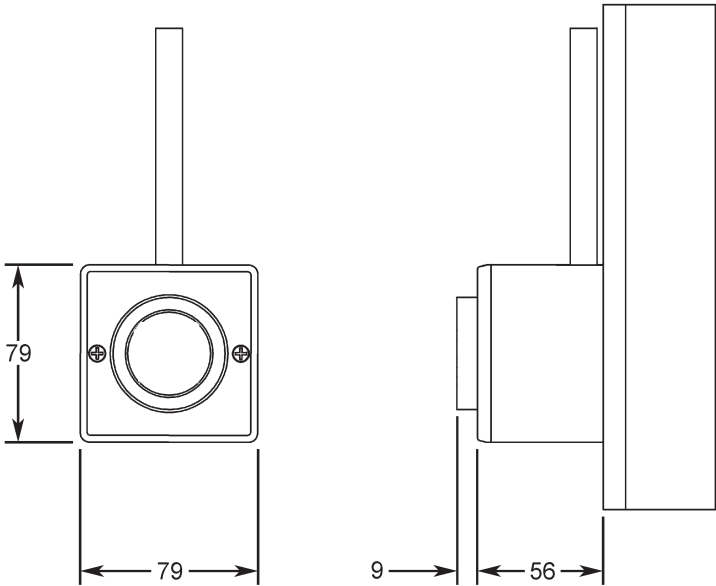
Installed Height
Recommended installation height for all wall outlets is 900 to 1400 mm above floor level

Installed Size
Height 99 mm
Width 99 mm

Protrusion (from wall)
15 mm

Depth into wall
50 mm

All dimensions are in millimetres



Surface fitting with tailpipe (125 mm or 3 m)

Installed Height
Recommended installation height for all wall outlets is 900 to 1400 mm above floor level

Installed Size
Height 79 mm
Width 79 mm

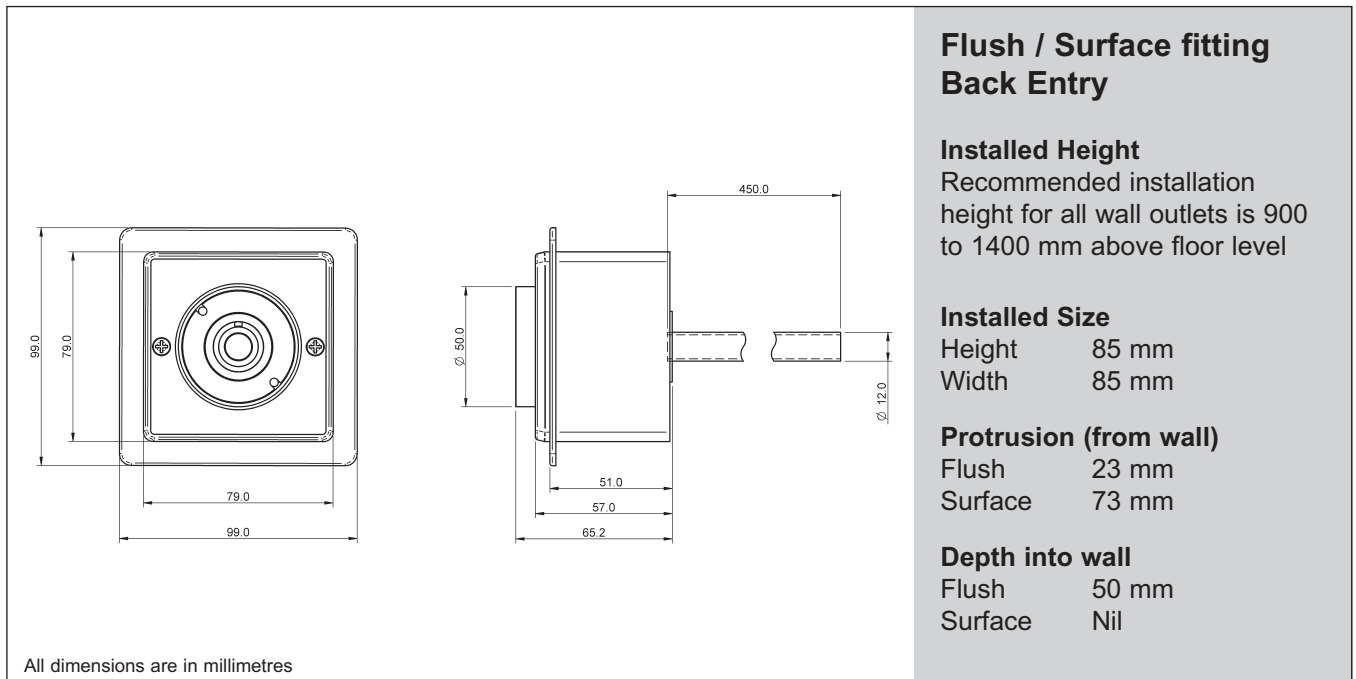
Protrusion (from wall)
65 mm

Depth into wall
Nil

All dimensions are in millimetres

Penlon SP Terminal Units

Wall Mounted • Flush / Surface Fitting • Back Entry



Penlon SP Terminal Units Bedhead Mounted

Classification

- Gas and Vacuum specific terminal units complying with BS EN 737-1, BS 5682:1984, HTM 2022, HTM02 and C11
- CE marked

Services

- Oxygen
- Nitrous Oxide
- 50% Oxygen / 50% Nitrous Oxide
- Air 400 kPa
- Air 700 kPa
- Medical Vacuum
- AGSS

Terminal Block

- Machined brass incorporating seal plate, check valve and brazed copper stub pipe
- Gas and vacuum indexed
- Fully degreased

Check Valve Assembly

- Machined brass incorporating spring operated shut-off valve
- Fully degreased

Socket Assembly

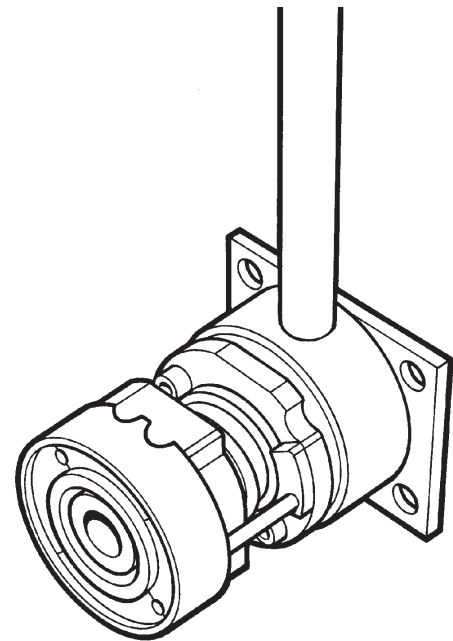
- East SP
 - Zinc diecasting
 - Black Teflon coated body
 - Copper / zinc finished interlock ring
 - Stainless steel rolling pins
- Zeus SP
 - Moulded polymer
 - Teflon coated stainless steel rolling pins

Installation Kit

- Mild steel mounting plate, zinc coated
- Studs or captive nuts required in trunking

Tailpipe Options

- Top, bottom, left and right side entry
- Back entry



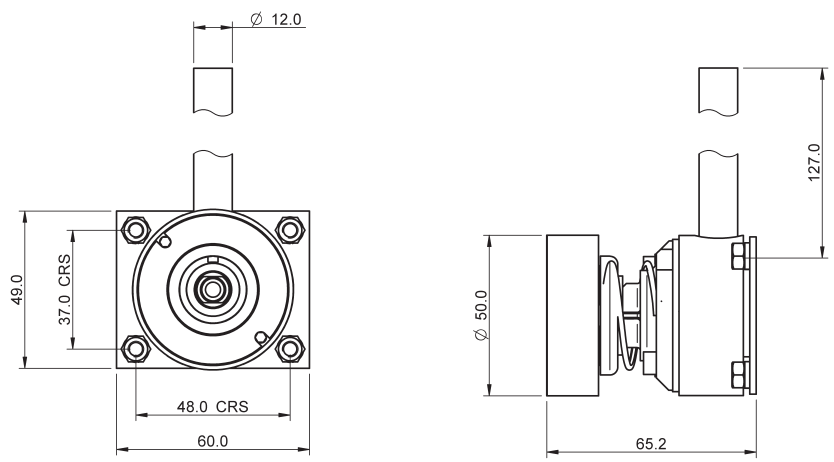
Part Numbers

Service	East SP		Zeus SP	
	Standard Tailpipe	Back Entry Tailpipe	Standard Tailpipe	Back Entry Tailpipe
Oxygen	360080	360830	360090	360840
Nitrous Oxide	360081	360831	360091	360841
50% O ₂ / 50% N ₂ O	360082	360832	360092	360842
Air 400 kPa	360083	360833	360093	360843
Air 700 kPa	360084	360834	360094	360844
Vacuum	360085	360835	360095	360845

Refer to next pages for further information

Penlon SP Terminal Units

Bedhead Mounted • Top, Bottom or Side Entry • Back Entry



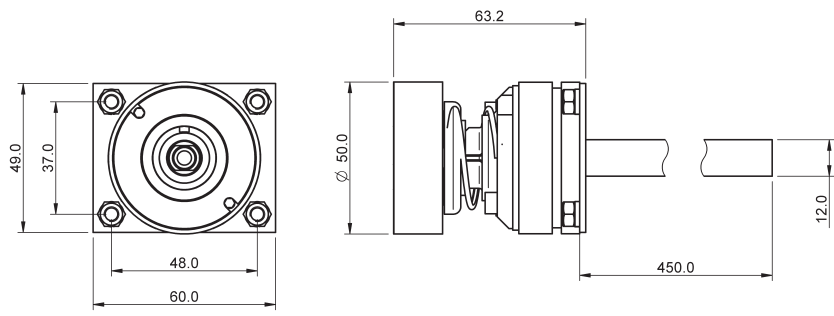
All dimensions are in millimetres

Top, Bottom, Side Entry with Tailpipe (125 mm)

Installed Height
Recommended installation height for all wall outlets is 900 to 1400 mm above floor level

Installed Size
N/A

NOTE
4 off M5 x 35 mm studs to be provided in the bedhead unit



All dimensions are in millimetres

Back Entry with Tailpipe (450 mm)

Installed Height
Recommended installation height for all wall outlets is 900 to 1400 mm above floor level

Installed Size
N/A

NOTE
4 off M5 x 35 mm studs to be provided in the bedhead unit

Penlon SP Terminal Units Pendant Mounted

Classification

- Gas and Vacuum specific terminal units complying with BS EN 737-1, BS 5682:1984, HTM 2022, HTM02 and C11
- CE marked

Services

- Oxygen
- Nitrous Oxide
- 50% Oxygen / 50% Nitrous Oxide
- Air 400 kPa
- Air 700 kPa
- Medical Vacuum
- AGSS

Terminal Block

- Machined brass incorporating seal plate, check valve and brazed copper stub pipe
- Gas and vacuum indexed
- Fully degreased

Check Valve Assembly

- Machined brass incorporating spring operated shut-off valve
- Fully degreased

Socket Assembly

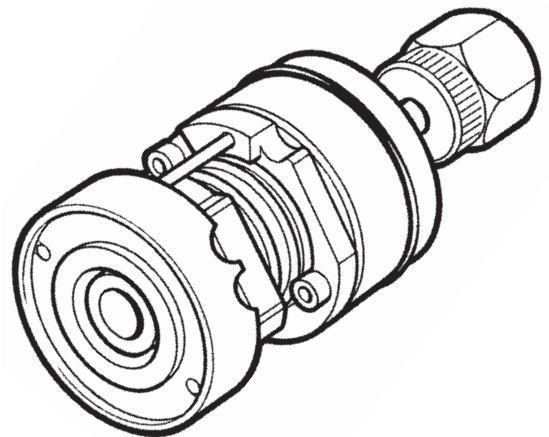
- East SP
 - Zinc diecasting
 - Black Teflon coated body
 - Copper / zinc finished interlock ring
 - Stainless steel rolling pins
- Zeus SP
 - Moulded polymer
 - Teflon coated stainless steel rolling pins

Installation Kit

- Mild steel mounting plate, zinc coated
- Studs or captive nuts required

Tailpipe Options

- NIST connection - Anti-swivel (horizontal axis)
- NIST connection - Non Anti-swivel (vertical axis)
- Copper tailpipe - Non Anti-swivel (vertical axis)



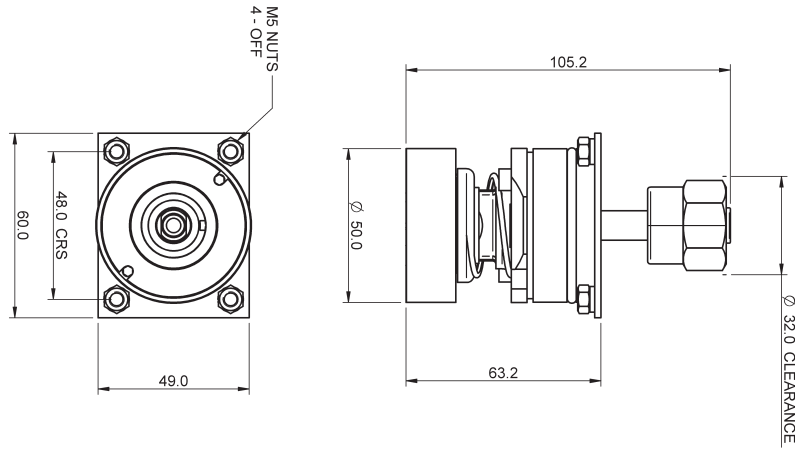
Part Numbers

Service	East SP			Zeus SP		
	NIST Anti-swivel	NIST Non Anti-swivel	Copper Non Anti-swivel	NIST Anti-swivel	NIST Non Anti-swivel	Copper Non Anti-swivel
Oxygen	360430	360440	360850	360450	360460	360860
Nitrous Oxide	360431	360441	360851	360451	360461	360861
50% O ₂ / 50% N ₂ O	360432	360442	360852	360452	360462	360862
Air 400 kPa	360433	360443	360853	360453	360463	360863
Air 700 kPa	360434	360444	360854	360454	360464	360864
Vacuum	360435	360445	360855	360455	360465	360865

Refer to next pages for further information

Penlon SP Terminal Units

Pendant Mounted



MS NUTS
4 - OFF

60.0

48.0 CRS

49.0

105.2

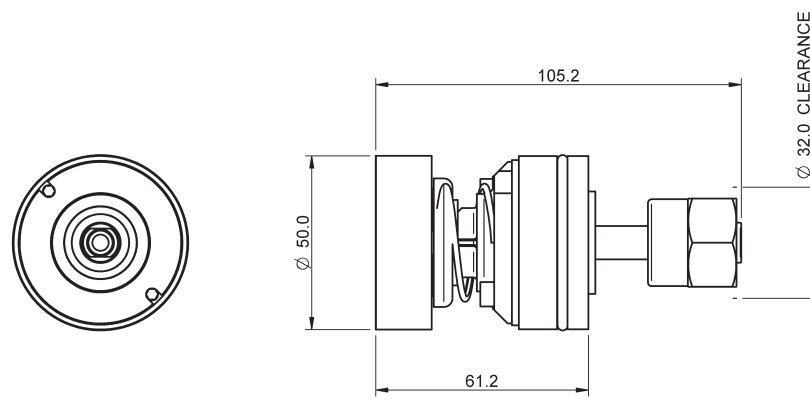
63.2

50.0

32.0 CLEARANCE

Pendant or Boom with NIST connector

All dimensions are in millimetres



50.0

105.2

61.2

32.0 CLEARANCE

Flexible Pendant Head with NIST connector

All dimensions are in millimetres