

Penlon Line Valves

Lockable Line Valve • NIST Lockable Line Valve • In-line Non-Return Valve

Classification

- Gas and Vacuum specific coded NIST complying with BS EN 737-1, BS 5682:1984, HTM2022 and C11
- CE marked

Services

- Oxygen
- Nitrous Oxide
- 50% Oxygen / 50% Nitrous Oxide
- Air 400 kPa (4 Bar)
- Air 700 kPa (7 Bar)
- Medical Vacuum
- Nitrogen
- CO₂

Stub Assembly

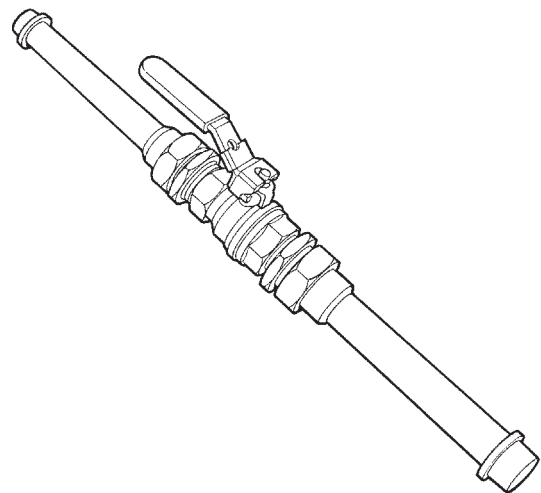
- Brass flange silver soldered to a copper stub
- Coded NIST connectors with brass Non-Return valve (excluding vacuum unit) where applicable
- Fully degreased

Valve construction

- Brass Non-Return Valve where applicable
- Quarter turn ball valves die cast nickel plated brass alloy body with nitrile seals
- Degreased for Oxygen use

Accessories

- Padlocks available for all sizes of lockable line valves
- Colour coded adhesive gas tape and directional arrows available
- Fluxless silver solder available for inert gas welding



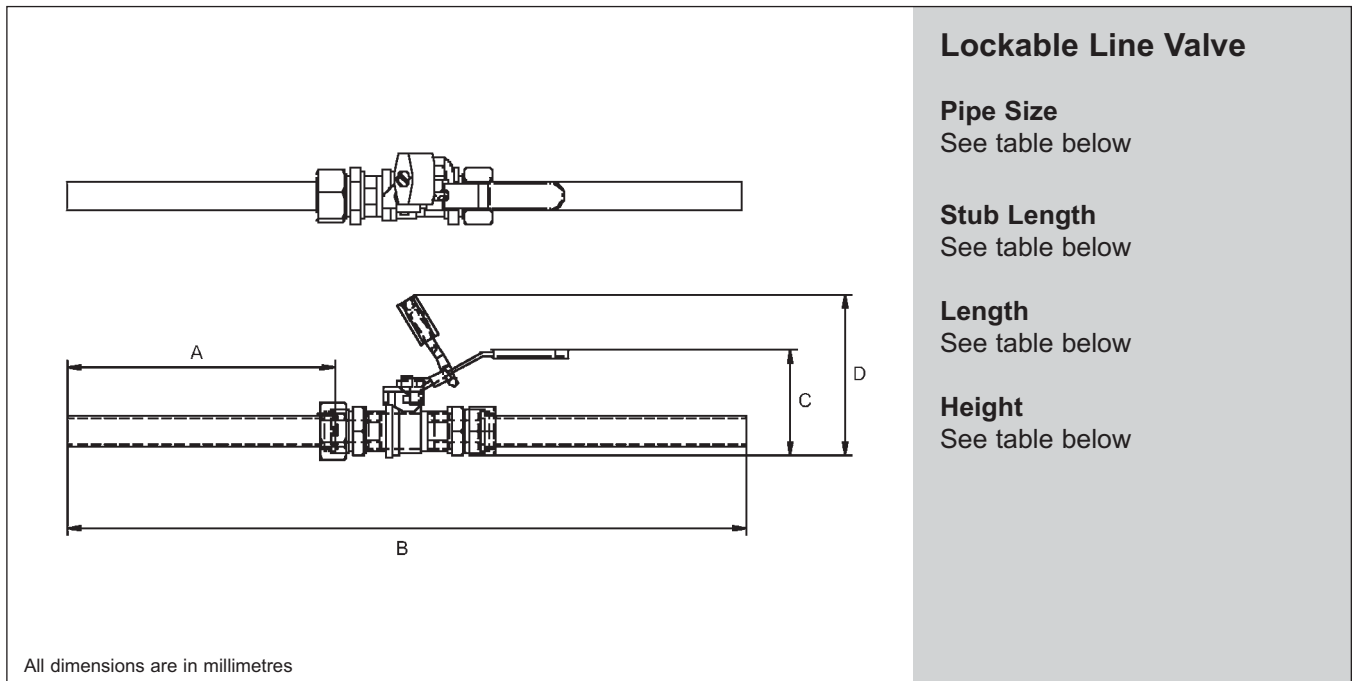
Part Numbers

Pipe Size	Lockable Line Valve	Non-Return Valve
15 mm	350201	3269500
22 mm	350202	3269501
28 mm	350203	3269502
35 mm	350204	3269504
42 mm	350205	3269505
54 mm	350206	3269506
76 mm	350207	N/A
108 mm	350208	N/A

For NIST Lockable Line Valve part numbers please contact the sales department

Penlon Line Valves

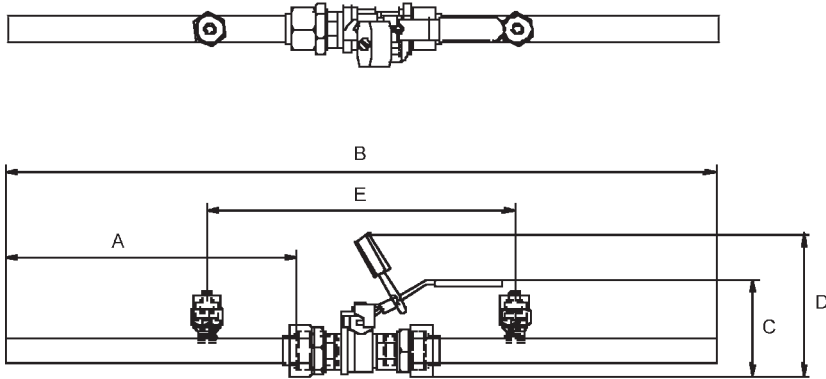
Lockable Line Valve



Pipe Size	Stub Length 'A'	Length 'B'	Height 'C'	Height 'D' (approximate)	O-ring Reference
Ø 15 mm	202 mm	508 mm	60 mm	90 mm	041265
Ø 22 mm	203 mm	520 mm	85 mm	115 mm	3262662
Ø 28 mm	203 mm	544 mm	90 mm	120 mm	B 1125
Ø 35 mm	253 mm	653 mm	105 mm	135 mm	009230
Ø 42 mm	254 mm	684 mm	115 mm	145 mm	041266
Ø 54 mm	253 mm	701 mm	130 mm	160 mm	B0553
Ø 76 mm	306 mm	820 mm	220 mm	250 mm	041132
Ø 108 mm	310 mm (incl. NIST)	830 mm	220 mm	250 mm	041132

Penlon Line Valves

NIST Lockable Line Valve



NIST Lockable Line Valve

Pipe Size
See table below

Stub Length
See table below

Length
See table below

Height
See table below

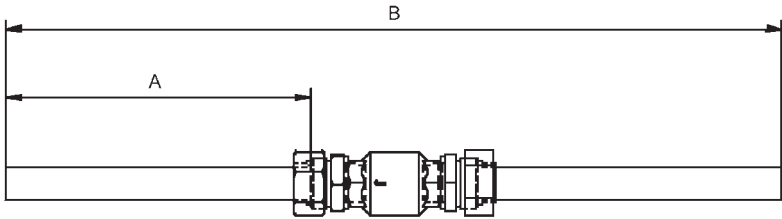
NIST CRS.
See table below

All dimensions are in millimetres

Pipe Size	Stub Length 'A'	Length 'B'	Height 'C'	Height 'D' (approx)	NIST CRS. 'E'	O-ring Reference
Ø 15 mm	253 mm	608 mm	60 mm	90 mm	252 mm	041265
Ø 22 mm	253 mm	620 mm	85 mm	115 mm	264 mm	3262662
Ø 28 mm	253 mm	644 mm	90 mm	120 mm	288 mm	B 1125
Ø 35 mm	253 mm	653 mm	105 mm	135 mm	297 mm	009230
Ø 42 mm	253 mm	684 mm	115 mm	145 mm	328 mm	041266
Ø 54 mm	253 mm	701 mm	130 mm	160 mm	345 mm	B0553
Ø 76 mm	306 mm	820 mm	220 mm	250 mm	470 mm	041132
Ø 108 mm	310 mm	830 mm	220 mm	250 mm	480 mm	041132

Penlon Line Valves

In-line Non-Return Valve



In-line Non-Return Valve

Pipe Size
See table below

Stub Length
See table below

Length
See table below

All dimensions are in millimetres

Pipe Size	Stub length 'A'	Length 'B'	O-ring Reference
Ø 15 mm	202 mm	506 mm	041265
Ø 22 mm	203 mm	517 mm	3262662
Ø 28 mm	203 mm	535 mm	B 1125
Ø 35 mm	253 mm	642 mm	009230
Ø 42 mm	254 mm	779 mm	041266
Ø 54 mm	253 mm	908 mm	B0553